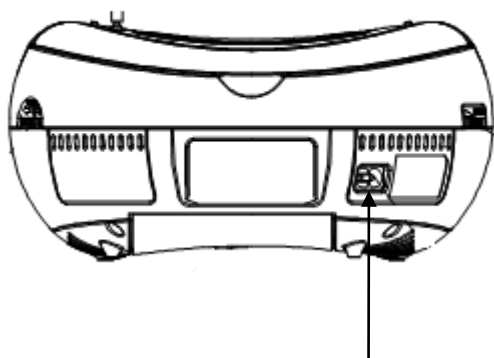
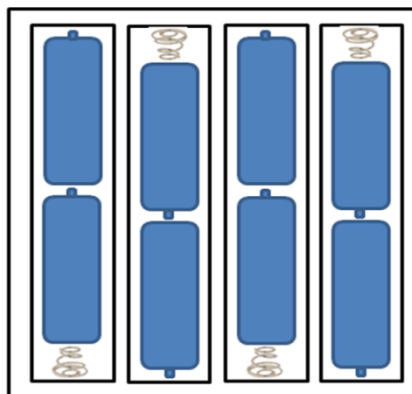


**POWERING ON YOUR CD PLAYER**

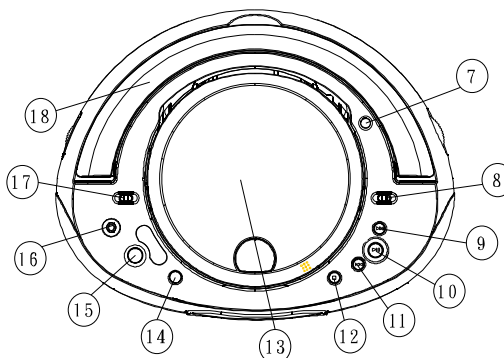
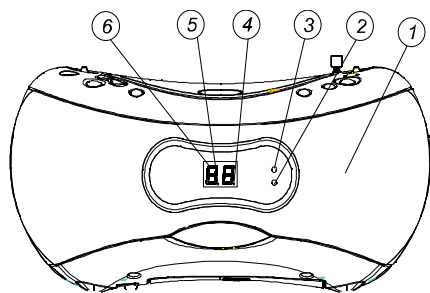
*In order to power up your player you can either use the AC adaptor supplied with the unit or you can place 8 size C LR14 batteries into the base of the unit.*



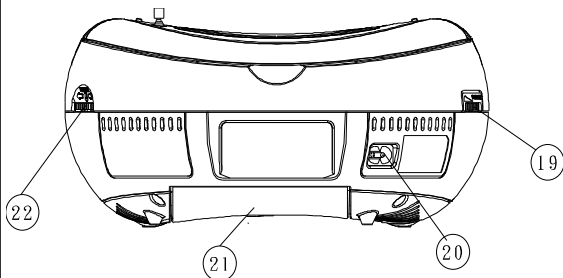
Insert Adaptor



**DISPLAY AND FUNCTIONS**



1. SPEAKER
2. PROGRAM INDICATOR
3. FM STEREO INDICATOR
4. PLAY/PAUSE INDICATOR
5. REPEAT 1/ALL INDICATOR
6. DISPLAY
7. TELESCOPIC ANTENNA
8. BAND SELECTOR (AM-FM-FM ST.)
9. NEXT TRACK
10. PLAY/PAUSE
11. BACK
12. STOP
13. CD DOOR
14. REPEAT
15. PROGRAM
16. STEREO HEADPHONE JACK
17. FUNCTION SELECTOR
18. HANDLE





## PORTABLE CD PLAYER

### Quick Set-Up Guide

#### PLAYING A CD

##### **Playing Audio CD's**

1. Set the Function Switch to the CD position.
2. Press the Function Button to select CD mode, the CD icon will appear on the LCD display.
3. Insert a CD disc into the CD compartment and close the CD door, the unit will start reading the disc, it will show the total number of tracks of the entire disc after reading.
4. Press the Play/Pause Button to start playing the disc.
5. During play back, press the Play/Pause Button to temporarily pause playing. To resume, press the Play/Pause button again. Press the skip up or skip down to change the current track. Note: This player only plays original music CD's it will not play MP3 or WMA file CD's

#### RADIO OPERATION

##### **Radio Operation**

1. Set the Function Selector into the RADIO position.
2. Set the Band Selector to AM or FM position to select the band.
3. Tune to the desired radio station by turning the Tuning Control left or right.
4. Adjust the Volume Control to the desired level.
5. To turn off the radio, set the Function Selector to the OFF position.

##### **Antenna**

For FM reception there is a built-in telescopic FM antenna at the rear of the unit. Extend the antenna and move it around to obtain the best reception.

For AM reception the signals are picked up through a built-in ferrite antenna. You may have to relocate the unit to obtain the best reception.

#### PLAY MODE SELECTION

##### **Skipping tracks**

During play or pause mode, press the Next Button to go to the next track.

During play or pause mode, press the Back Button to go back to the beginning of the track. Press the Skip Back Button again will go back to the previous track. To fast forward press and hold the Next button or to rewind press and hold Back.

##### **Repeat mode**

Press the Repeat Button to select different kinds of play mode with the following sequence.

Repeat ➔ Repeat All